

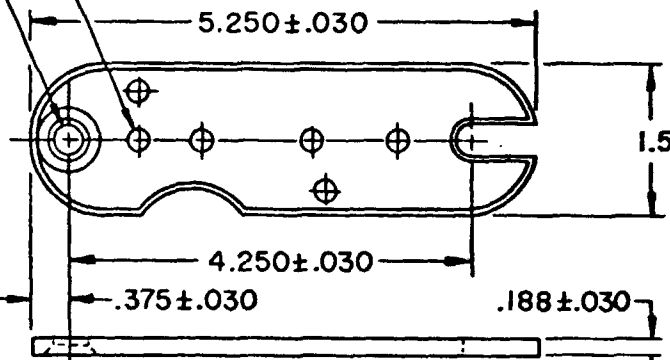
MICRO SWITCH
 FREEPORT ILLINOIS U.S.A.
 A DIVISION OF HONEYWELL
 FED. MFG. CODE 91929

SWITCH-ENCLOSED

CATALOG LISTING
EXD-AR-3

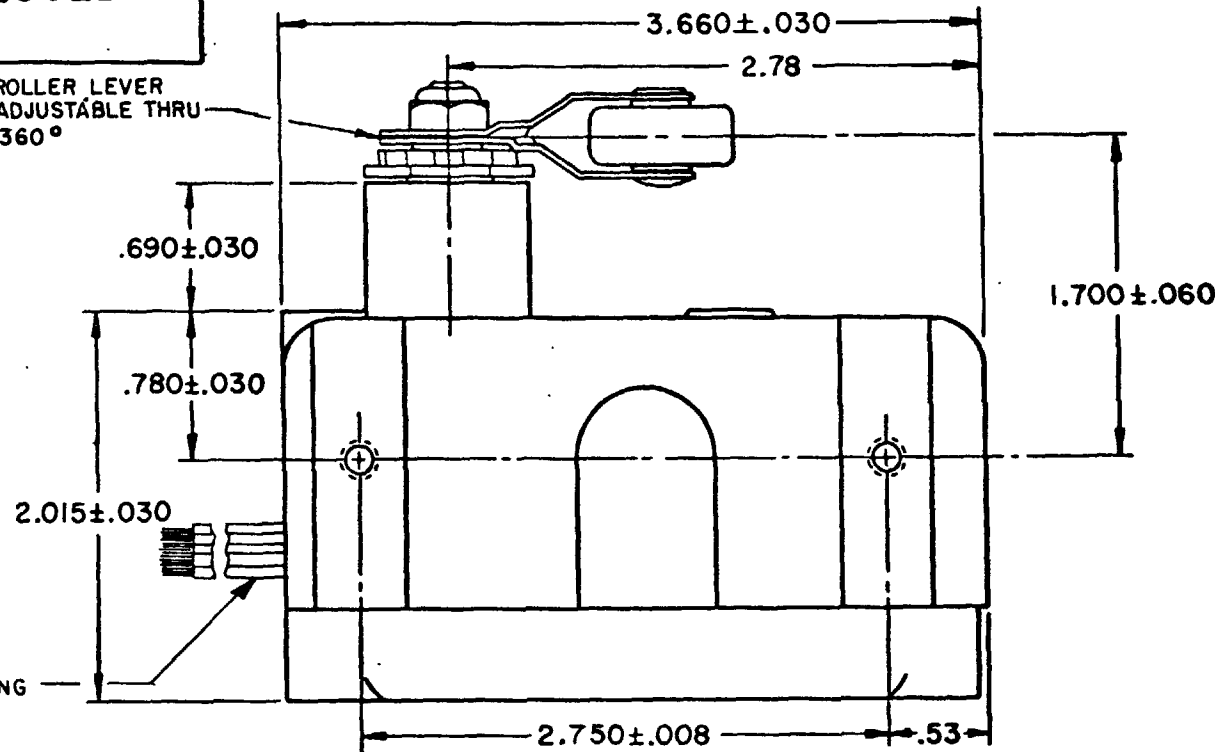
MTG HOLE AND SLOT FOR .250 DIA SCREW
 HOLE FOR NO. 10 PAN HEAD SCREW (6)

ROLLER LEVER
 ADJUSTABLE THRU
 360°



MOUNTING BRACKET (1) AND 10-32 UNF X .250 REF
 PAN HEAD SCREW (2) FURNISHED UNASSEMBLED
 SCALE - HALF SIZE

NO. 14 LEADS PVC INSULATION 36.000 MIN BEYOND HOUSING
 3 (7)



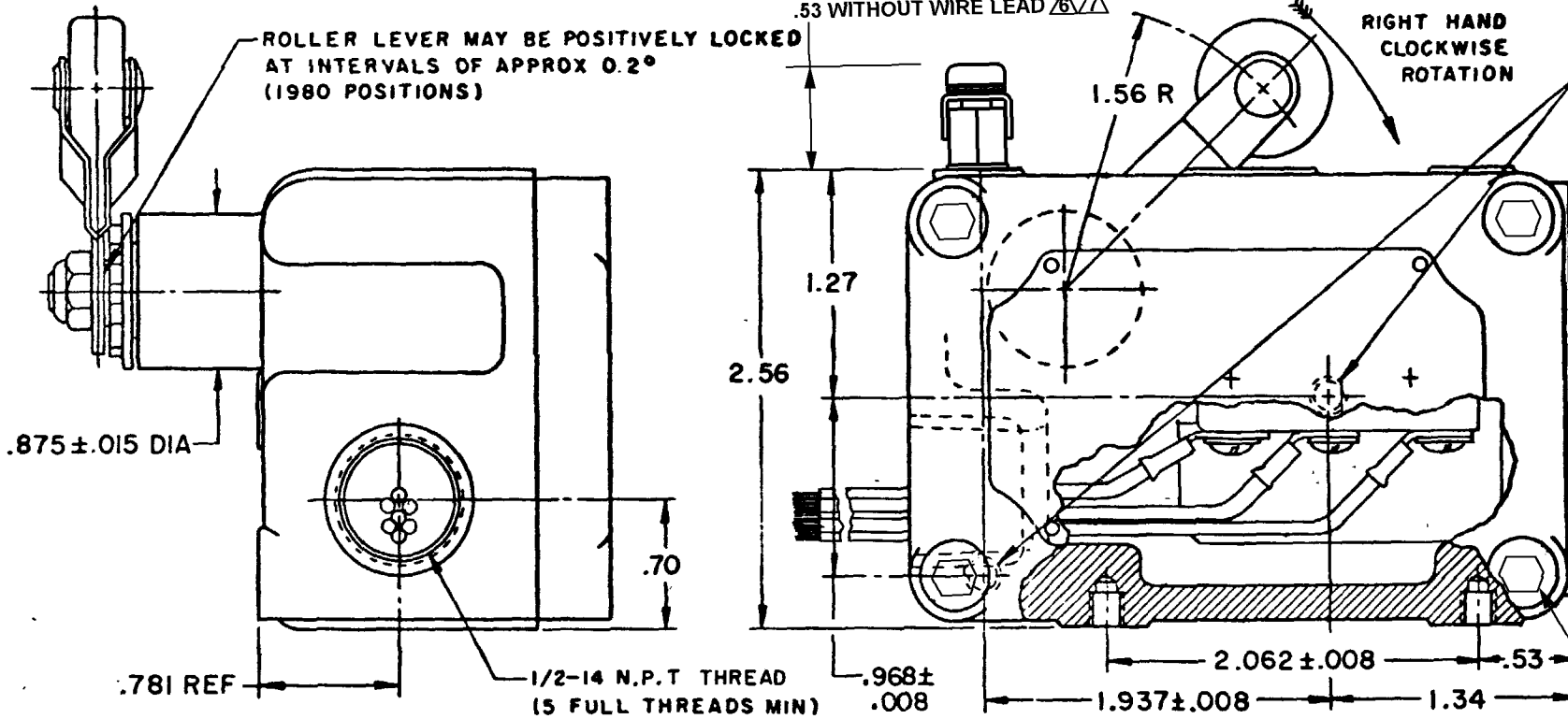
.750 REF DIA X .312 REF WIDE
 ROLLER MADE OF NON-SPARKING
 WEAR RESISTANT MATERIAL

ROLLER LEVER MAY BE POSITIVELY LOCKED
 AT INTERVALS OF APPROX 0.2°
 (1980 POSITIONS)

.53 WITHOUT WIRE LEAD 6/7

RIGHT HAND
 CLOCKWISE
 ROTATION

MOUNTING HOLE IN
 OPPOSITE WALL (2)



1.812±.008

10-32 UNF LOCKING
 TYPE NUT .375 REF
 ACROSS FLATS

4 X 5mm HEX DRIVE CAP SCREW,
 WRENCH FURNISHED WITH PRODUCT

| | | |
|-----------|----------------|-------------|
| EXD-AR-3 | REPLACES | PR-8880 |
| | | RELEASE NO. |
| M | DRAWING NUMBER | 28 NOV 05 |
| | | 8880 |
| X | ISSUE | RJ |
| | | 8880 |
| REVISIONS | | AK |
| A | CO 58360 | 26 APR 05 |
| B | CO60496 | 26 APR 05 |
| C | CO61381 | 26 APR 05 |
| D | CO63239 | 26 APR 05 |
| E | CO73019 | 26 APR 05 |
| F | 0012750 | 26 APR 05 |
| G | 0017245 | 26 APR 05 |
| S | 0017245 | 26 APR 05 |
| L | 0017245 | 26 APR 05 |
| B | 0017245 | 26 APR 05 |
| S | 0017245 | 26 APR 05 |

THIS DRAWING COVERS A PROPRIETARY ITEM AND IS THE PROPERTY
 OF MICRO SWITCH, A DIVISION OF HONEYWELL. THIS DRAWING IS NOT
 TO BE COPIED OR USED WITHOUT THE APPROVAL OF MICRO SWITCH.

THIRD ANGLE PROJECTION

SCALE FULL

DO NOT SCALE PRINT

TOLERANCES
 APPLY TO DESIGN UNITS. CONVERSIONS ARE ONLY FOR
 REFERENCE UNLESS NOTED. TOLERANCES ARE ±

| DESIGN UNITS | SI METRIC | US CUSTOMARY |
|--------------|-----------|--------------|
| NO PLACES | ± | 17 04 |
| ONE PLACE | ± | 0.010 |
| TWO PLACES | ± | 0.0010 |
| THREE PLACES | ± | 0.00010 |
| FOUR PLACES | ± | 0.000010 |

RAW MATERIAL - COMMERCIAL STANDARD
 MICRO SWITCH STANDARDS APPLY
 DIMENSIONS ARE TO BE MET BEFORE
 PROTECTIVE COATINGS ARE APPLIED

WEIGHT

| CHARACTERISTICS | ELECTRICAL DATA |
|---|--------------------------------|
| OPERATING FORCE ----- 8-24 OZ | CONTACT ARRANGEMENT D P D T |
| RELEASE FORCE ----- 4-12 OZ | 10A-125 OR 250 VAC |
| PRETRAVEL ----- .250 MAX | 0.3A-125 VDC; 0.15A-250 VDC |
| DIFFERENTIAL TRAVEL ----- .109 MAX | CODE L59 |
| OVERTRAVEL ----- DO NOT OVERTRAVEL MORE THAN 25° | |
| BASIC SWITCH REPLACEMENT ----- DT-2R4-A7 | |

NOTES

- (8) MOUNTING SCREW HOLES, 10-32 UNF-2B THREADS X .219 REF. DEEP
- EXPLOSION PROOF - UNDERWRITERS' LAB. INC. LISTED FOR HAZARDOUS LOCATIONS NEMA 7, CLASS 1, GROUPS B, C AND D, NEMA 9, CLASS II, GROUPS E, F AND G.
- COM LEADS - BLACK, N.C. LEADS - RED, N.O. LEADS - BLUE, GROUND LEAD - GREEN
- EUROPEAN HAZARDOUS LOCATIONS DESIGNATION: EEx dIIB + H2 T6 CATAGORY II 2 G
- SEAL RATING: NEMA 1
- EXTERNAL GROUND SCREW MAY BE ASSEMBLED TO ANY UNUSED MOUNTING SCREW HOLE
- ASSEMBLE PROVIDED SPLIT LOCKWASHER BETWEEN GROUND LUG AND HOUSING

